

DRONE FLAMETHROWER

FT10

TECHNICAL PARAMETERS

Model

FT10

Size

785*128*230mm

Weight

Product 2298±50g

Compatible fuel

75% alcohol

Maximum volume

≤1.5L

Ignition method

High-pressure pulse ignition

Adjustable nozzle angle range

Pitch ±15° Horizontal ±20°

Targeting System

Targeting System

Flaming distance

3 ~ 7m adjustable (no wind)

Supported Drone

DJI M300/350 RTK

Load interface

DJI Skyport

Rated power

40W

Communication link

DJI Drone Link

Minimum Working time

Single continuous operating time ≥ 50S

PRECISE REMOVAL OF OBSTACLES

- Laser-assisted targeting
- Rotatable nozzle
- Precision redirection
- High Accuracy

SAFE AND RELIABLE

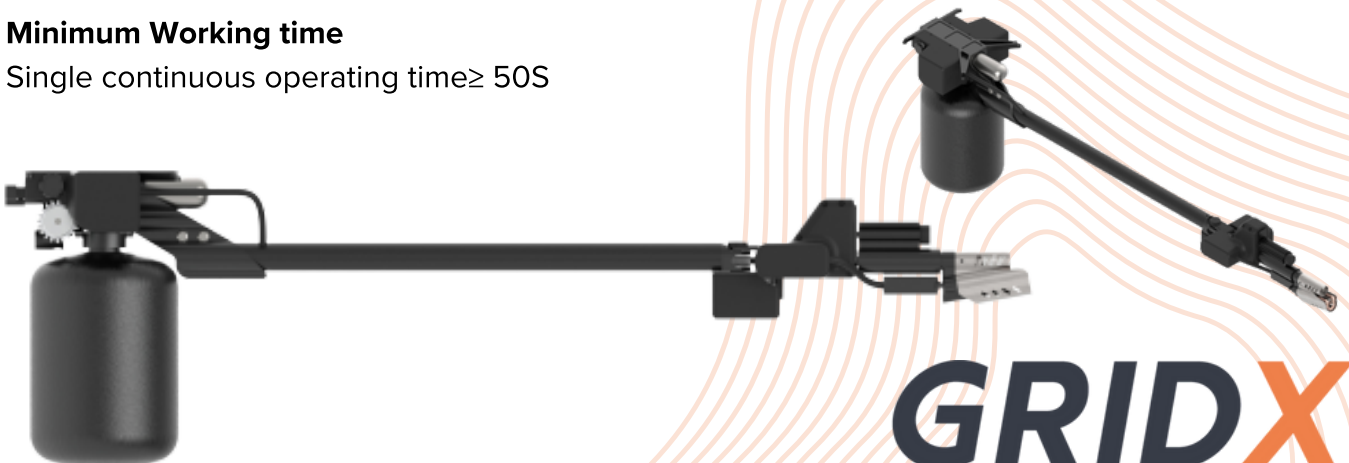
- Nozzle Valve
- Prevention of dripping problems
- Carbon dioxide for power
- Oxygen-free and safe environment

FLEXIBLE FLAMING

- Gasification high voltage arc ignition
- Wind Resistance
- Adjustable pressure system
- 3-7m flaming distance

EASY TO USE AND PRACTICAL

- 3.7kg fully loaded
- Won't block the drone's sensors
- Independent control box
- Dedicated remote control



GRIDX
metering and control