

# HPRC2460 FOR BATTERIES TB30 AND DJI RC PLUS BAT2460-01

## DIMENSION

Internal dimension  
409x306x175(mm) - 16.10x12.05x6.89(in)

External dimension  
435x377,8x193(mm) - 17.13x14.87x7.60(in)

## WEIGHT

empty: 2,55kg - 5.62lbs  
with foam: 3,14kg - 6.92lbs

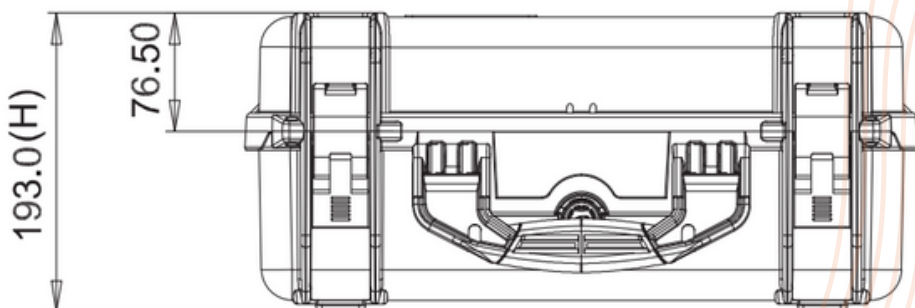
## TEMPERATURE RATING

Minimum  
-40°C -40°F

Maximum  
+80°C +176°F



## TECHNICAL DRAWING



**GRIDX**  
metering and control